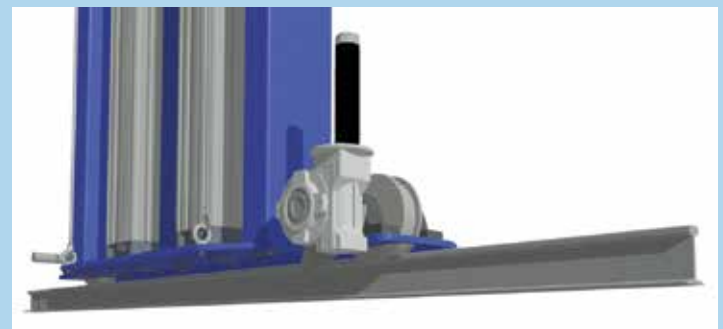


WALL-MAN® XL 1000



- Made to order
- Non slip floor in cage
- Three dimensional movement
- ATEX approved



Construction	Welded Steel	
Finish	RAL 5015	
Payload	250 kg (2 persons plus equipment)	
Controls	In cage: Up/Down; Left/Right; In/Out	At ground Level: Up/Down
Air Supply	6 - 8 bar. 350 litres per minute supplied via hoses on self-retracting hose reels. A compressed air outlet for air tools is provided in the cage.	

Key Dimensions	<ul style="list-style-type: none"> • Height of raised platform 6000 mm <i>(may be reduced to 4000 mm)</i> • Height to top of upper rail 6800 mm <i>(may be reduced to 4750 mm)</i> • Distance from wall to front of cage ... 1240 mm <i>(fully retracted)</i> 2240 mm <i>(fully extended)</i> • Cage size (W x D) 2005 x 820 mm.
-----------------------	--

Installation The platform runs on a rail fixed on the floor. The upper rail is mainly used as a guide rail.

Imposed Loads	<i>The following data relates to the standard model only. For platforms with height or off-set variations; please ask for specific information.</i>	
	• Upper Rail, Vertical Load: 0 kg	• Lower Rail, Vertical Load: 1040 kg
	• Upper Rail, Horizontal Load: 163 kg	• Lower Rail, Horizontal Load: 163 kg

Drawings

WALL-MAN® XL 1000
Standard height
Side elevation/Cage extracted
2240 mm

WALL-MAN® XL 1000
Standard height
Front view

WALL-MAN® XL 1000
Standard height
Side elevation/
Cage retracted

WALL-MAN® XL 1000
Standard height
Front view

WALL-MAN® XL 1000
Plan view

WALL-MAN® XL 1000
Plan view