

# Compact unit SP-CS

## Effex

### High vacuum



- Shipyards
- Offshore
- Pipelines
- Constructions
- Maintenance

#### ADVANTAGES

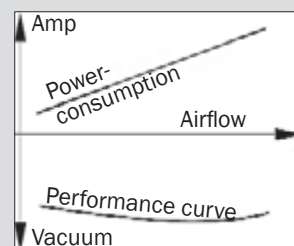
The compact unit SP-CS incorporates a two-stage high performance SP-turbine, strain shield, start valve, muffler and control cabinet. Signal lamps, switches, ammeter and hourmeter are mounted on the access door. The equipment is fitted ready for operation, in a sound and weather-proofed housing on vibration pads, suitable for outdoor installation. Lockable inspection doors on the unit and control cabinet provide easy access.

**Operator safety:** An optional bag with a special lock is standard. The bag completely isolates the collected pollutants from the operator and the surroundings. The plastic bag is of biodegradable material.

#### APPLICATIONS

**Multipurpose:** SP-CS units can be used for many different applications including effective control of welding fumes, grinding dust and wet or dry centralised vacuum cleaning.

**Installation:** The SP-CS units are designed for rapid and easy installation and dismantling on site or in workshops for general construction, tanks, vessels, pipelines, shipyards and offshore maintenance.



#### SYSTEM DESIGN

The SP-CS units are suitable for many pollution control applications, particularly when the distance between the pollution source and plant location is great. Efficient, customized, permanent or portable systems can be designed to suit specific customer requirements. Professional technical assistance is available.

#### FEATURES

**Performance:** The unique flat performance curves of the SP turbines enable them to function efficiently when dealing with extraction volumes, ranging from single to the maximum number of operators.

**Mobility:** The heavy duty construction of the SP-CS units with built-in lifting points enables them to be moved safely and with relative ease using a crane or forklift.

**Energy savings:** The electrical power consumed by the SP-CS unit depends on the amount of air passing through the turbine. The rated input current is only required when all the attachments are in operation.

**Stability:** The stable vacuum characteristics of the SP turbines over a range of airflow rates enables them to be used effectively over long distances when combined with small bore hoses and attachments. In a multi-operator system the stable vacuum will ensure a uniform extraction performance, without any need for balancing valves or costly complicated automatic controls.

# Compact unit SP-CS

## Effex

### Specifications

Feature	SP-8-CS	SP-13-CS	SP-15-CS	SP-19-CS	SP-26-CS	SP-32-CS	SP-36-CS	SP-41-CS	SP-52-CS
Art. no.	On request			On request			On request		
Airflow max m <sup>3</sup> /h	830	1350	1500	1900	2650	3250	3600	4100	5200
Airflow inlet m <sup>3</sup> /h	830*	1350*	1500*	1900*	2650*	3250*	3600*	4100*	5200*
Static pressure, max-Pa	21 400	18 900	19 600	17 250	20 500	22 600	19 250	20 500	23 000
Static pressure inlet-Pa	20 700*	18 900*	17 500*	13 850*	17 500*	15 850*	17 100*	16650*	16700*
Speed 0/min	5495	5533	5840	2767	2935	3136	2940	3136	3283
Power kW	11	15	18,5	22	30	39	37	45	55
Current 50Hz/230V A	37	50	61	75	106	126	125	150	176
50Hz/400V A	21	29	35	44	61	73	72	86	96
Phase/start 3/YD		3/YD	3/YD	3/YD	3/YD	3/YD	3/YD	3/YD	3/YD
LxWxH (mm)	1830 x 1180 x 2570			1830 x 1180 x 2570			1830 x 1180 x 2570		
Inlet/outlet (mm)	Ø 200 / Ø 200			Ø 200 / Ø 200			Ø 250 / Ø 250		
Bin capacity liter	45			45			45		
Colour RAL	Grey 7047			Grey 7047			Grey 7047		
Weight kg	895	945	960	1310	1403	1403	1367	1387	1547

\* The capacities of airflow/static pressure are the most relevant values, as max. values could be misleading.



#### Plastic bag PB-45

Lockable plastic bag of biodegradable material for insertion in the dust bin. The bag has a special lock that completely isolates the collected pollutants.

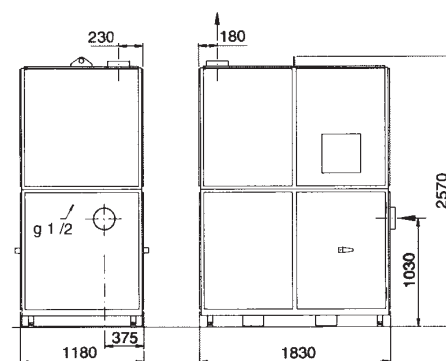
Capacity: 25 kg.

Package: 10 bags

Art.no. 750692



The SP-SC units are ideal for use with gasless, and gas shielded welding guns with integrated extraction. A wide range of additional nozzles, hoses and adapters is available to suit most applications.



We reserve the right to make changes.



Reglo AS • Andebu Næringspark • NO-3158 ANDEBU • Norway

Tel.: +47 33 43 02 80 • Fax: +47 33 43 02 81

info@reglo.no • www.reglo.no